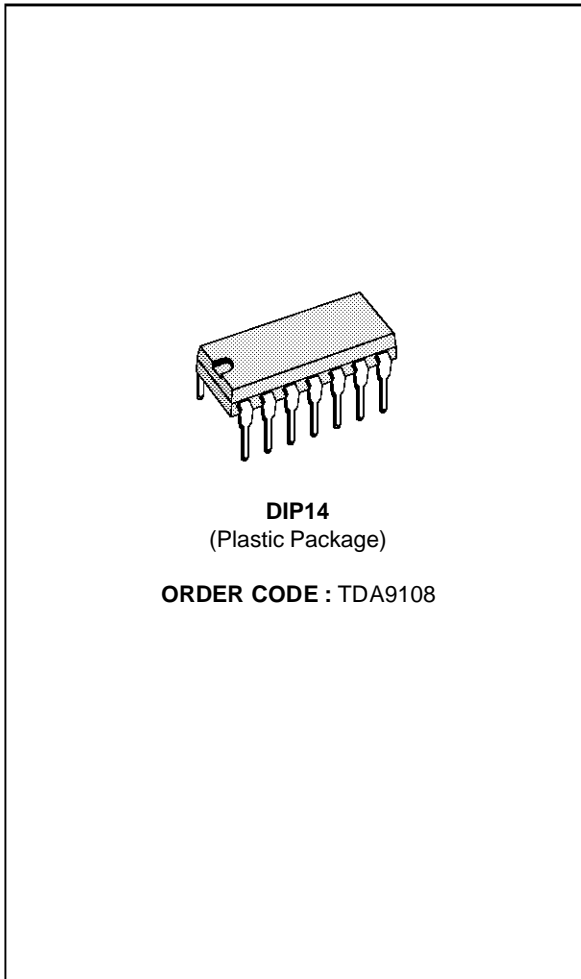


MONITOR HORIZONTAL PROCESSOR

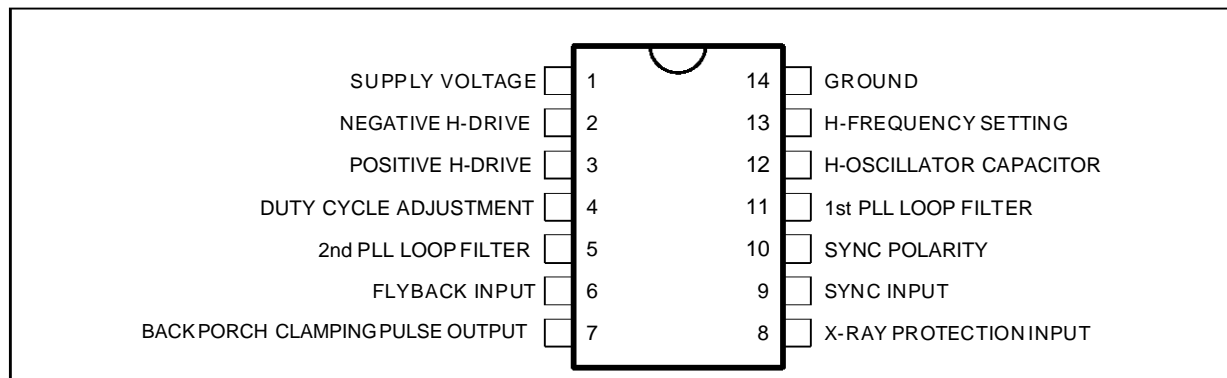
- POS/NEG SYNC INPUT
- SYNC POLARITY DETECTION
- 2 PLLs CONCEPT
- 2 COMPLEMENTARY OUTPUTS
- DC ADJUSTABLE FREQUENCY
- DC ADJUSTABLE DUTY CYCLE
- X-RAY PROT INPUT
- BACK PORCH CLAMPING PULSE GENERATOR
- H-DRIVE INHIBITION WHEN $V_S < V_{S \text{ START}}$



DESCRIPTION

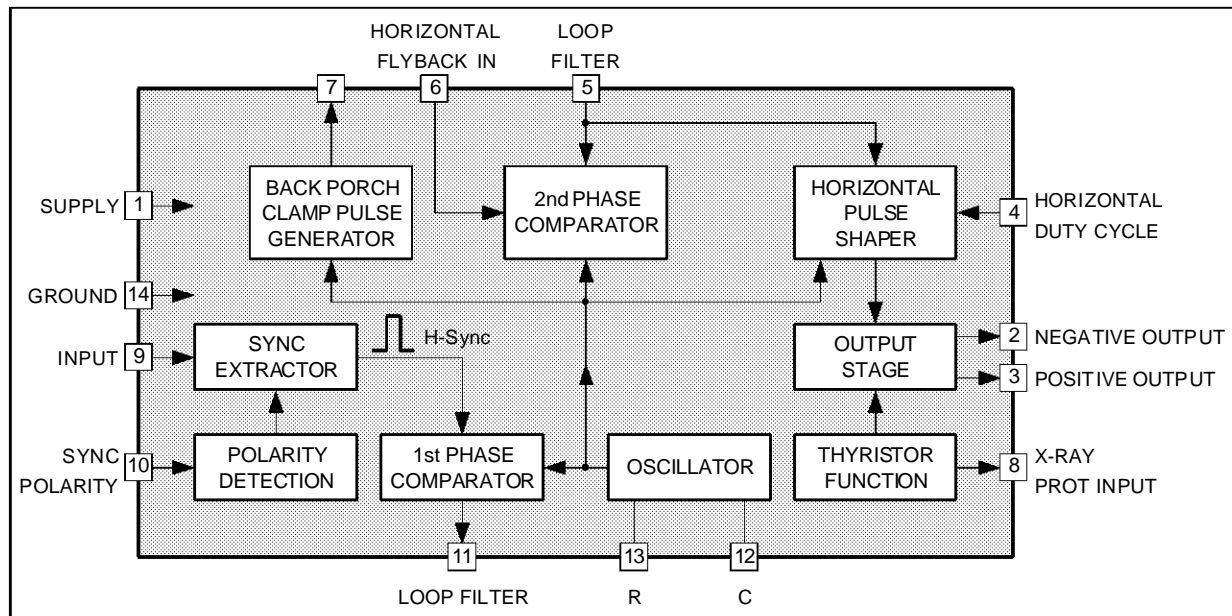
The TDA9108 is a horizontal deflection processor specially designed for monitor applications. The H-drive output duty cycle, the horizontal frequency and the horizontal position are DC adjustable ; it accepts both POS/NEG polarity on sync input and delivers polarity information on a dedicated pin. All these features make the device a good choice for multifrequency application. In addition to this, X-ray protection, 2 complementary H-drive output , and a back porch clamping pulse generator are also included. It is a monolithic integrated circuit encapsulated in a 14 lead dual line plastic package.

PIN CONNECTIONS



9108-01.EPS

BLOCK DIAGRAM



9108-02.EPS

ABSOLUTE MAXIMUM RATINGS

Symbol	Parameter	Value	Unit
V _S	Supply Voltage (Pin 1)	15	V
V ₂	Voltage at Pin 2	18	V
V ₄	Voltage at Pin 4	0, V _S	V
V ₈	Voltage at Pin 8	0, V _S	V
V ₉	Voltage at Pin 9	0, V _S	V
V ₁₀	Voltage at Pin 10	0, V _S	V
I ₂	Pin 2 Peak Current	1	A
I ₃	Pin 3 Peak Current	0.5	A
I ₆	Pin 6 Input Current	30	mA
I ₇	Pin 7 Input Current	10	mA
P _{tot}	Total Power Dissipation at T _{amb} ≤ 70°C	0.9	W
T _{stg} , T _j	Storage and Junction Temperature	- 40, + 150	°C

9108-01.TBL

THERMAL DATA

Symbol	Parameter	Value	Unit
R _{th(j-a)}	Thermal Resistance Junction-ambient	Max. 90	°C/W

9108-02.TBL

ELECTRICAL CHARACTERISTICS

(refer to the test circuit, V_S = 12V, T_A = 25°C, unless otherwise specified)

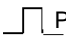

Symbol	Parameter	Test conditions	Min.	Typ.	Max.	Unit
V _S	Supply Voltage Range		10	12	13.2	V
I _S	Supply Current (Pin 1)	I ₃ = 0		38	55	mA
V _S	Supply voltage at which the output pulses (at Pin 2 and 3) are switched off				4	V

9108-03.TBL

ELECTRICAL CHARACTERISTICS (continued)(refer to the test circuit, $V_S = 12V$, $T_A = 25^\circ C$, unless otherwise specified)

Symbol	Parameter	Test conditions	Min.	Typ.	Max.	Unit
V_{9SW}	Sync Input Threshold	<ul style="list-style-type: none"> • Sync high • Sync Low 	2		V_S 0.8	V V
I_{9SW}	Sync Input Current	<ul style="list-style-type: none"> • Sync high • Sync Low 	-20	-7	1	μA μA

SYNC POLARITY SELECTION

V_{10th}	Polarity Selection Threshold  Positive sync on Pin 9 for $V_{10} < V_{10th}$  Negative sync on Pin 9 for $V_{10} > V_{10th}$		2.3	2.5	2.7	V
I_{10}	Input Current	$V_{10} = 2V$ $V_{10} = 3V$			1 12	μA μA
V_{10ZL}	Low Impedance ($2k\Omega$) Threshold	(see note 1)		6.3		V

X-RAY PROTECTION CIRCUIT

V_{8th}	X-ray Prot Input Threshold Voltage (when $V_8 > V_{8th}$ Pin 2 and 3 are inhibited until V_S is switched off/on)		2.6	2.9	3.2	V
I_8	Input Current	$V_8 \leq 2.5$ $V_8 \geq 3.3$	-0.5		0.5	μA μA

FLYBACK INPUT

V_6	Phase Comparator Input Threshold				10	V
I_6	Input Switching Current		0.1			mA

OUTPUT PULSE

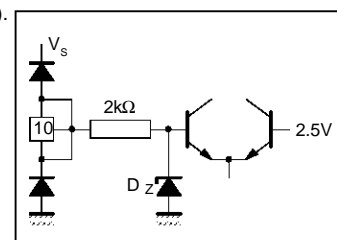
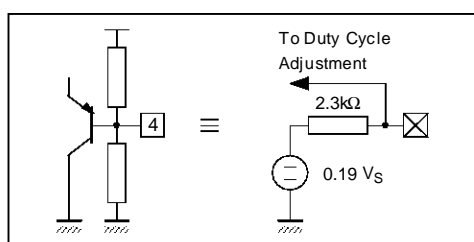
V_2	Saturation Voltage (Pin 3 grounded)	$I_2 = 150mA$		2.2	3.2	V
I_2	Output Current (Pin 3 grounded)	$V_2 = 5V$			150	mA
V_3	Output Voltage (Pin 2 connected to supply)	<ul style="list-style-type: none"> • High level ($I_3 = 150mA$) • Low level ($I_3 = 100mA$) 	8.8	9.8 1.5	10.8 2.7	V V
I_3	Output Current Capability	<ul style="list-style-type: none"> • Source • Sink 			150 100	mA mA
R_3	Output Resistance	<ul style="list-style-type: none"> • At leading edge of output pulse • At falling edge of output pulse 		3 20		Ω Ω

DUTY CYCLE ADJUSTMENT

t_p	Horizontal Output Pulse Duty Cycle on Pin 3 (high level, line transistor off time)	$f = 31.5kHz$ Pin 4 not connected	26	30	34	%
V_4	Voltage on Pin 4 (see note 2)	Pin 4 not connected	$0.178 V_S$	$0.19 V_S$	$0.202 V_S$	V
R_4	Serial Equivalent Resistor on Pin 4 (see note 2)	Pin 4 not connected	1.7	2.3	2.9	$k\Omega$

Note 1: The voltage on the polarity detection comparator is clamped by an internal Zener diode (V_Z).

$$\text{When voltage on Pin 10 reaches } V_Z, \text{ then } I_{Pin 10} = \frac{V_{Pin 10} - V_Z}{2k\Omega}$$

Note 2: Pin 4 internal schematic

9108-04.TBL

9108-03.EPS

TDA9108

ELECTRICAL CHARACTERISTICS (continued)

(refer to the test circuit, $V_S = 12V$, $T_A = 25^\circ C$, unless otherwise specified)

Symbol	Parameter	Test conditions	Min.	Typ.	Max.	Unit
DUTY CYCLE ADJUSTMENT (continued)						
t_{pADJ}	Max. Horizontal Output Duty Cycle Range (function of V_4) $t_p = K4 \cdot \frac{V_4}{V_S}$ (see note 3)	$f = 31.5kHz$		50		%
K4	Duty Cycle Adjustment Coefficient		1.6	1.8	2	

KEY PULSE OUTPUT

V_{7k}	Key Pulse Output Peak Voltage (emitter follower)	$I_7 = 5mA$	4	5		V
V_{7L}	Low Level (outside the key pulse)			0.2	0.5	V
t_{SK}	Phase Relation between Trailing Edge of Key Pulse and Middle of Sync. Input Pulse	$f = 31.5kHz$ Sync width = $2\mu s$	1.1	1.5	1.9	μs
t_k	Key Pulse Duration		1.25	1.7	2.15	μs

OSCILLATOR

V_{12}	Low Level Threshold Voltage			5.4		V
V_{12}	High Level Threshold Voltage			8.2		V
I_{12}	Charge Current	$R_{13} = 10k\Omega$		0.6		mA
I_{12}	Discharge Current	$R_{13} = 10k\Omega$		0.3		mA
V_{13}	Reference Voltage on Pin 13		2.6	2.9	3.2	V
f_o	Free Running Frequency	$R_{13} = 10k\Omega$ $C_{12} = 2.2nF$	27	30	33	kHz
$f_{Max.}$	Maximum Oscillator Frequency	$R_{13} = 47k\Omega$ $C_{12} = 2.2nF$	66			kHz
Jitt.	Horizontal Jitter	$f = 31.5kHz$		5		ns
$\frac{\Delta f_o}{\Delta I_{13}}$	Frequency Control Sensitivity	$R_{13} = 10k\Omega$ $C_{12} = 2.2nF$		100		$\frac{Hz}{\mu A}$
Δf_o	Frequency Change when V_S Drops to 7.5V				-6	%

PHASE COMPARATOR

V_5	Control Voltage Range			9.4 to 8.2		V
I_5	Peak Control Current	During flyback pulse		± 0.85		mA
I_5	Input Current (blocked Phase Detector)	Outside flyback pulse			5	μA
t_D	Permissible Delay between Output Pulse Leading Edge and Flyback Pulse Leading Edge			$t_p - t_r$		μs
$\frac{\Delta t}{\Delta t_D}$	Static Control Error				0.2	%

SYNC PULSE-OSCILLATOR PHASE COMPARATOR

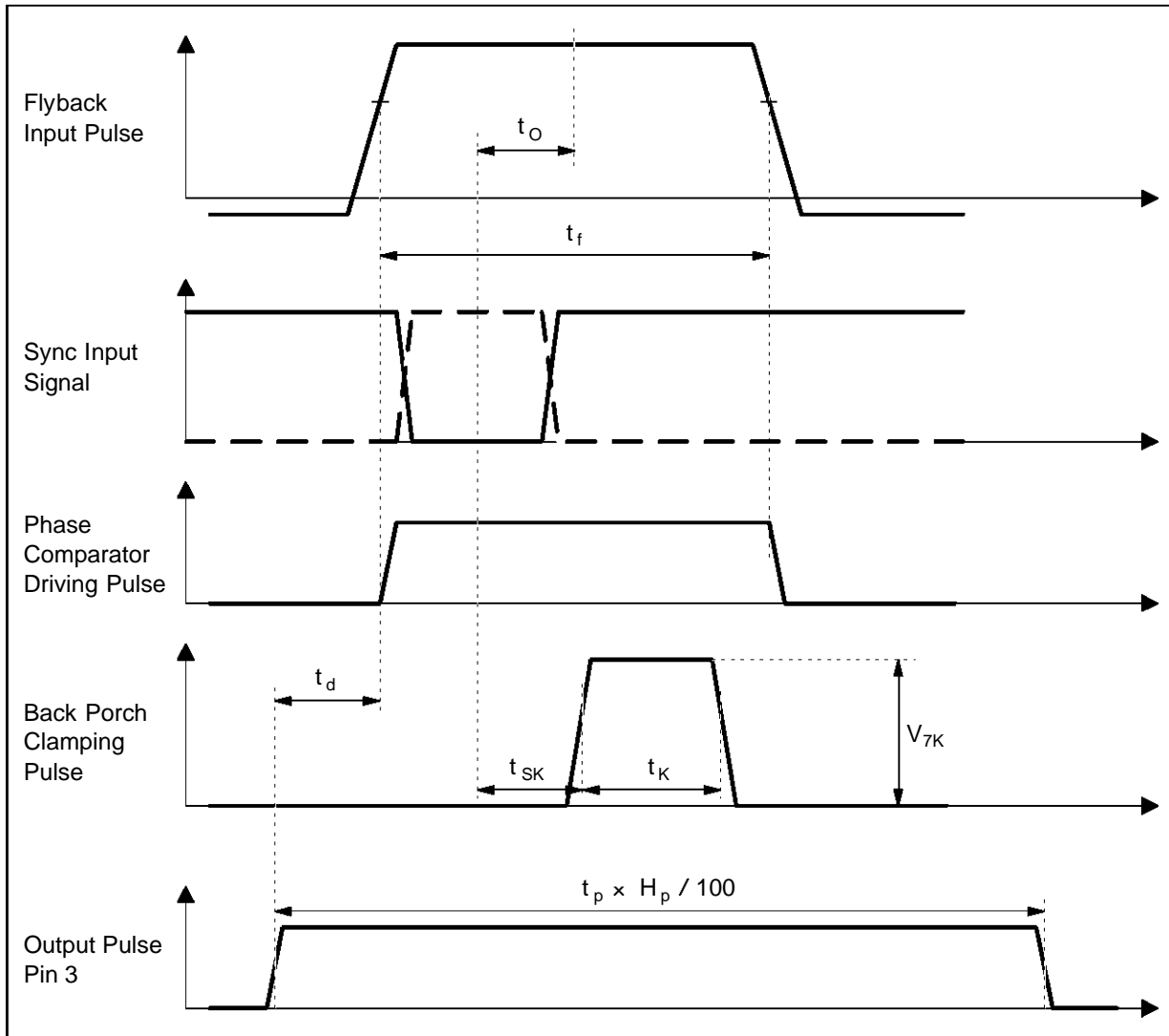
V_{11}	Control Voltage Range			4.6 to 1.4		V
I_{11}	Control Peak Current	During Sync Pulse		± 2.3		mA
$\frac{\Delta f}{\Delta t}$	Phase Lock Loop Gain	$R_{11-13} = 100k\Omega$		4		$\frac{kHz}{\mu s}$
f	Catching and Holding Range	See Typical Application		± 700		Hz

OVERALL PHASE RELATIONSHIP

t_o	Phase Relation between Middle of Flyback Pulse and Middle of Sync. Pulse	$R_{13} = 10k\Omega$ $C_{12} = 2.2nF$		1.1		μs
$\frac{\Delta V_5}{\Delta t_o}$	Adjustment Sensitivity			130		$\frac{mV}{\mu s}$
$\frac{\Delta I_5}{\Delta t_o}$	Adjustment Sensitivity			50		$\frac{\mu A}{\mu s}$

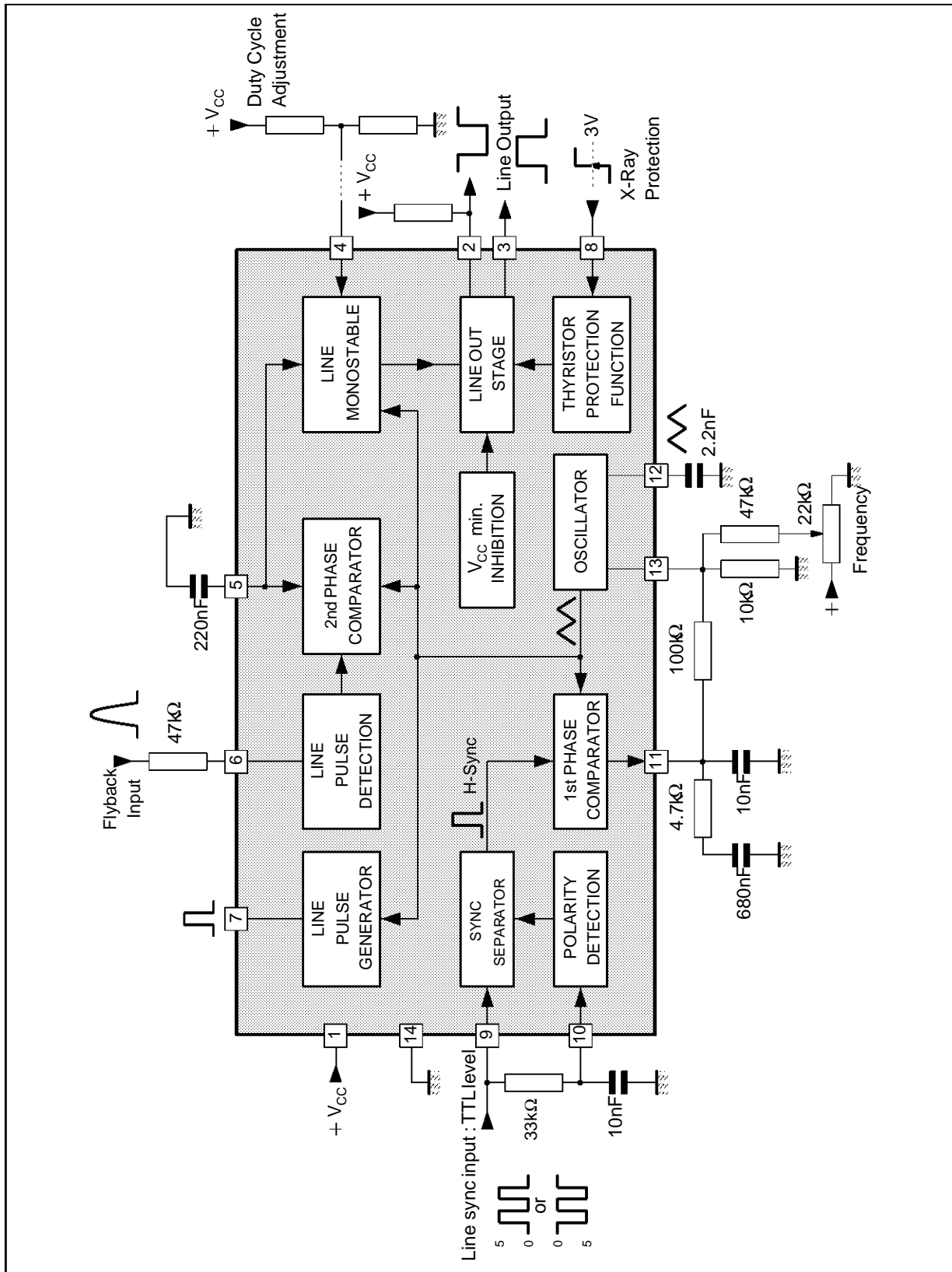
Note 3: t_a must be $\geq (H_{period} \left[\frac{t_p}{100} - 0.25 \right] - \frac{t_{fly}}{2})$ in order to have $\pm 5\%$ horizontal phase adjustment range.

Figure 1 : Relation Ship of Main Waveform Phases



9108-05.EPS

TYPICAL APPLICATION



9108-06.EPS

APPLICATION INFORMATION

Sync Extractor and Polarity Detection

This circuit is able to handle both positive or negative TTL input signal on Pin 9. The voltage on Pin 10 drives an internal inverter providing a constant sync polarity to the 1st phase comparator.

When using a RC network between Pin 9 and 10 (see Typical Application), the IC will adapt itself automatically to positive or negative sync. On an other hand, and in order to simplified the application, the Pin 10 can be connected to ground or supply (through a resistor), in this case the IC will work only with one sync polarity.

1st PLL

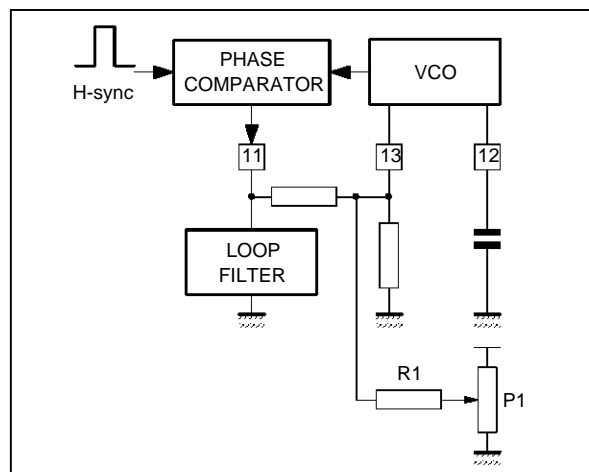
It is composed by a phase comparator, the oscillator and an external loop filter (see Figure 2)

- The phase comparator receives the H-sync signal (with positive polarity) and a signal coming from the internal current controlled oscillator. The loop is closed through an external resistor between Pin 11 and 13.
- The oscillator generates a sawtooth waveform on Pin 12 by charging and discharging the external capacitor. The capacitor is discharging by the current flowing Pin 13 and charged by two times this latter (see Figure 3).

The sawtooth is used internally to generate all the required timings.

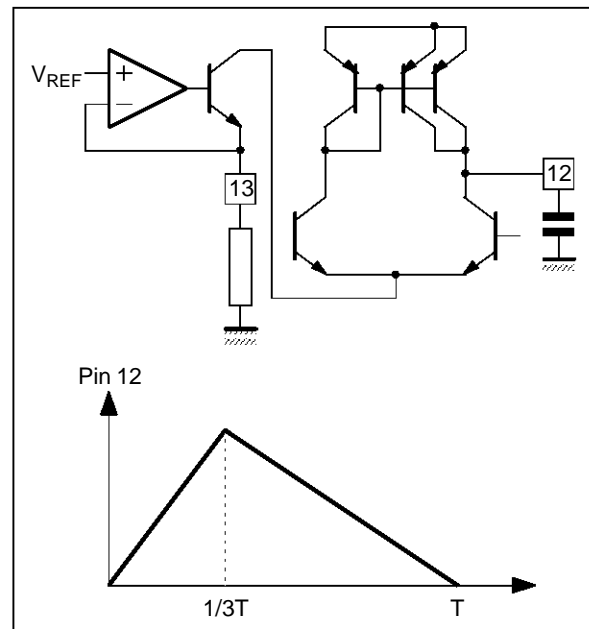
It is possible to DC control the frequency by adding or subtracting a DC current on Pin 13 (see Figure 2).

Figure 2



9108-07.EPS

Figure 3



9108-08.EPS

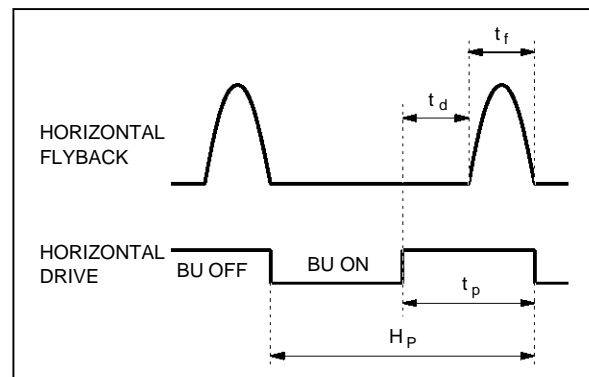
2nd Phase Locked Loop

To compensate the delay introduced by the horizontal final stage, the flyback pulse (Pin 6) and the oscillator waveform (Pin 12) are compared in the 2nd phase comparator. The result of the comparison is a control current which, after it has been filtered by the external capacitor on Pin 5, is sent to a phase shifter which adequately regulates the horizontal output pulses phase.

The maximum phase shift allowed is $t_d = t_p - t_f$ where t_f is the flyback duration (see Figure 4).

If $t_d > t_p - t_f$, then the horizontal output transistor will be turned on during flyback destroying it.

Figure 4



9108-09.EPS

X-Ray Protection Input (Pin 8)

When the voltage on this pin becomes higher than 2.9V (typ.), the horizontal outputs are inhibited and will remain in this condition until a reset is made on supply voltage (power-off/power-on).

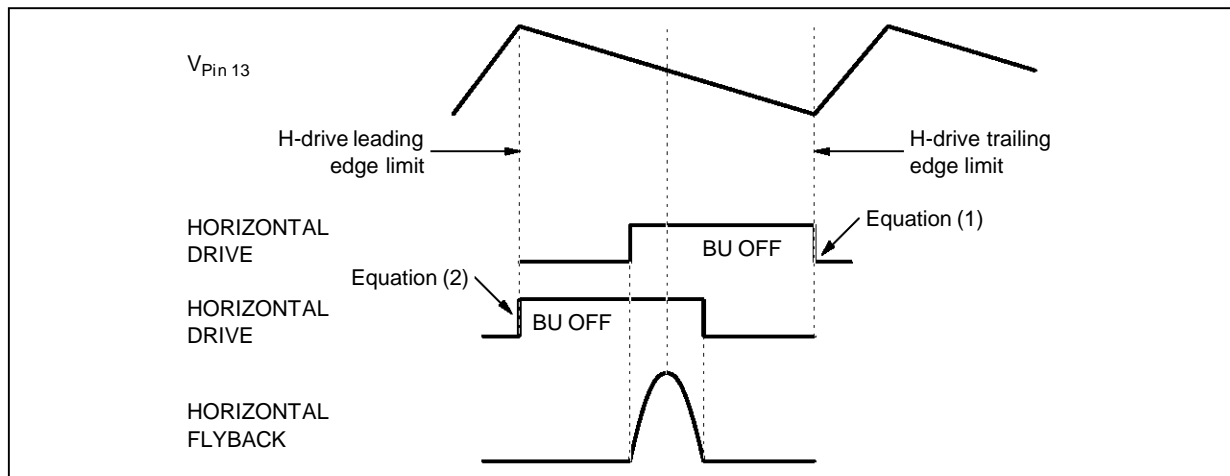
H-Duty Cycle (see Figure 5)

The output duty cycle is variable between 0 and 50% by varying the voltage on Pin 4.

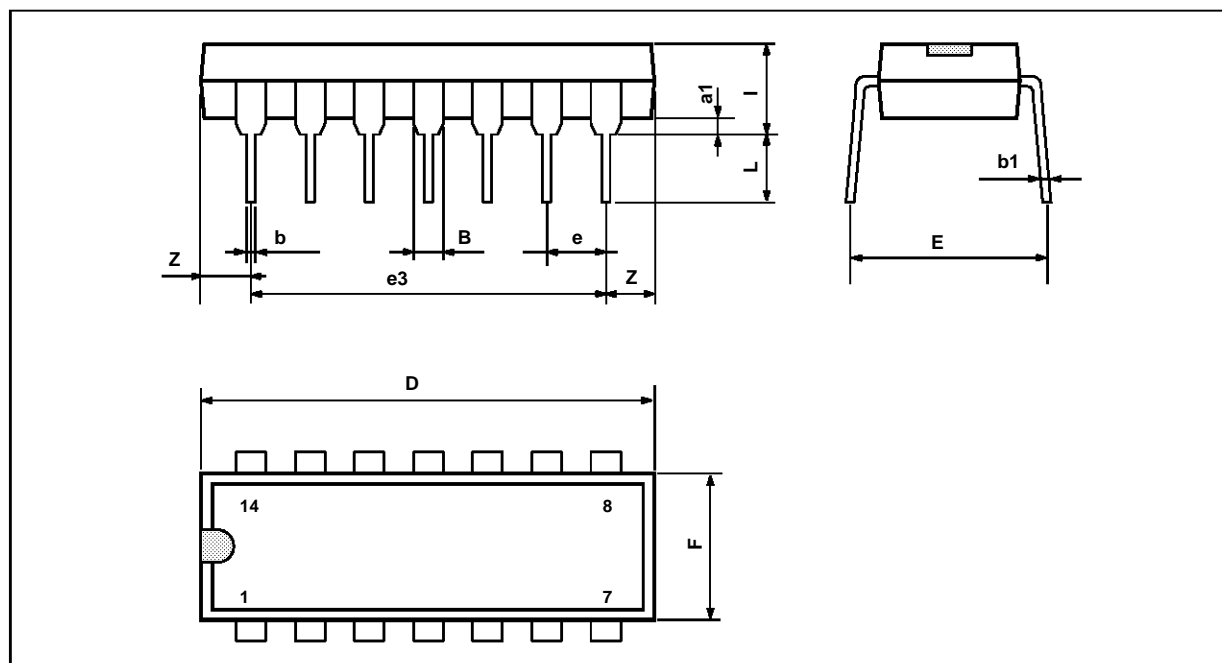
In order to maintain $\pm 5\%$ horizontal phase adjustment possibilities the following equation must be respected.

- (1) $H_{\text{period}} \left[\frac{t_p}{100} - 0.25 \right] - \frac{t_{\text{fly}}}{2} \leq t_d \Rightarrow$ If not, t_p will decrease because of H-drive trailing edge wrong position (phase shifter saturation)
- (2) $t_d \leq 0.36 H_p - \frac{t_{\text{fly}}}{2} - 2\mu\text{s} \Rightarrow$ If not, t_p will decrease because of H-drive leading edge wrong position (phase shifter saturation)

Figure 5



PACKAGE MECHANICAL DATA
14 PINS - PLASTIC DIP



PM-DIP14.EPS

Dimensions	Millimeters			Inches		
	Min.	Typ.	Max.	Min.	Typ.	Max.
a1	0.51			0.020		
B	1.39		1.65	0.055		0.065
b		0.5			0.020	
b1		0.25			0.010	
D			20			0.787
E		8.5			0.335	
e		2.54			0.100	
e3		15.24			0.600	
F			7.1			0.280
i			5.1			0.201
L		3.3			0.130	
Z	1.27		2.54	0.050		0.100

DIP14.TBL

Information furnished is believed to be accurate and reliable. However, SGS-THOMSON Microelectronics assumes no responsibility for the consequences of use of such information nor for any infringement of patents or other rights of third parties which may result from its use. No licence is granted by implication or otherwise under any patent or patent rights of SGS-THOMSON Microelectronics. Specifications mentioned in this publication are subject to change without notice. This publication supersedes and replaces all information previously supplied. SGS-THOMSON Microelectronics products are not authorized for use as critical components in life support devices or systems without express written approval of SGS-THOMSON Microelectronics.

© 1994 SGS-THOMSON Microelectronics - All Rights Reserved

Purchase of I²C Components of SGS-THOMSON Microelectronics, conveys a license under the Philips I²C Patent. Rights to use these components in a I²C system, is granted provided that the system conforms to the I²C Standard Specifications as defined by Philips.

SGS-THOMSON Microelectronics GROUP OF COMPANIES

Australia - Brazil - China - France - Germany - Hong Kong - Italy - Japan - Korea - Malaysia - Malta - Morocco
The Netherlands - Singapore - Spain - Sweden - Switzerland - Taiwan - Thailand - United Kingdom - U.S.A.